

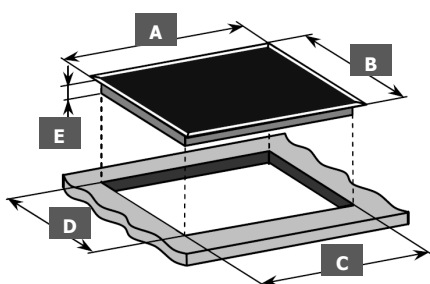
Replacement appliance check list

We have created this short check list to help you find the right replacement or upgrade for the most popular built-in appliance for your galley.

Simply send us this information together with a photo of the installation and we can advise you on what model best suits your need. You can email us at info@gn-espace.com

Please call us if you need advise on replacing any other appliances not mentioned. We would be pleased to help.

Electric hob / Electric Barbecue



Hob type : ceramic / induction / solid plate / barbecue

Number of zones : 1 / 2 / 3 / 4 / other

Current hob - manufacturer _____

- model _____

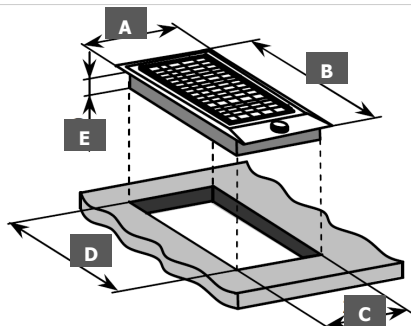
- electric connection : voltage / watts / Hz _____

Dimensions (mm): A _____ B _____ C _____

D _____

Please send photo of installation

Gas hob / Gas Barbecue



Hob type : gas hob

Number of burners : 2 / 3 / 4 / other _____

Gas type : _____

Current hob - manufacturer _____

- model _____

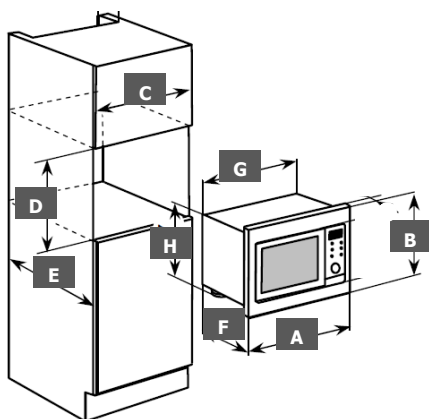
- electric connection : voltage / watts / Hz _____

Dimensions (mm): A _____ B _____ C _____

D _____ E _____

Please send photo of installation

Microwave Oven



Microwave type : MW / MW+Grill / Combi MW

Current hob - manufacturer _____

- model _____

- electric connection : voltage / watts / Hz _____

Dimensions (mm): A _____ B _____ C _____

D _____ E _____ F _____

G _____ H _____

Please send photo of installation